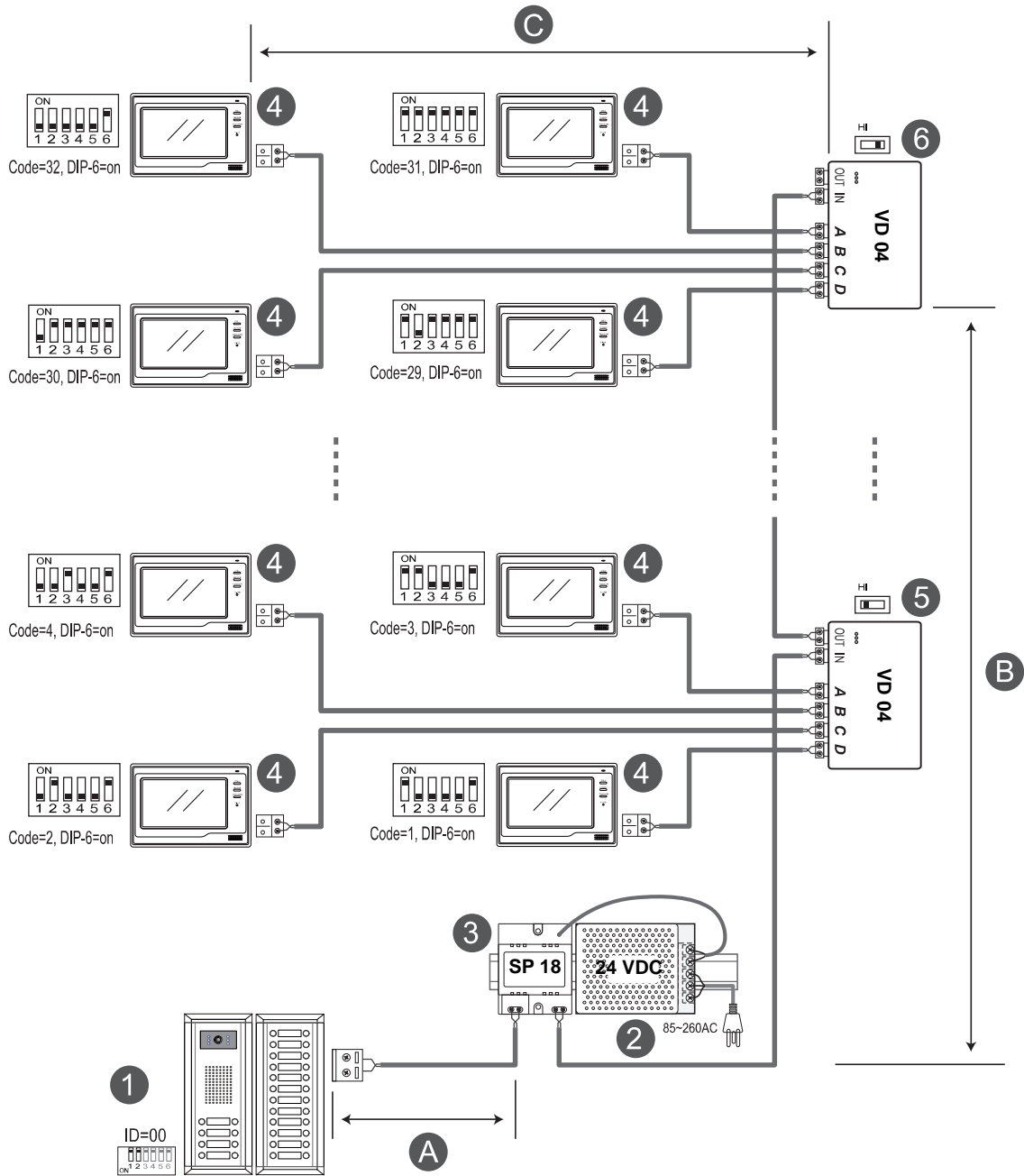


1.3. Star wiring with 4 output distributor VD 04



[1]: Door Station, when there is only one Door Station, the DIP bit-1 and bit-2 should be set to 00.

[2]: Power Supply MUST be installed side by side with DPS unit.

[3]: Power Separator, MUST be installed side by side with the [2]

[4]: Monitor, each one with a unique User Code, note that all the bit-6 of the DIP should be set to 1 (on) in this case. (Max.32 Monitors)

[5]: VD 04 (4ch video distributor) unit, the switch of the VD 04 should be set to HI except the last one which is at the end of the bus line.

[6]: VD 04 (4ch video distributor) unit, the switch of the VD 04 should be set to 120 as it is at the end of the bus line.

When Monitor quantity < 20

Cable Usage	A	B	C
Twisted cable 2x0.75 mm ²	60	60	30
Twisted cable 2x1 mm ²	80	80	40

When Monitor quantity > 20

Cable Usage	A	B	C
Twisted cable 2x1 mm ²	70	30	20
Twisted cable 2x1.5 mm ²	70	50	30